

TWINPOS 3500G1

COMPACT TOUCH POS TERMINAL



OPERATE WITH CONFIDENCE

TWINPOS3500G1 provides the most reliable hardware with industry-standard OPOS compliant drivers. Features renowned NEC hardware reliability and rugged dependability in compact body.



Hardware features

- One of the world smallest POS terminal with 292 x 203mm footprint is flexible to fit various types of counter layout
- Windows® Embedded for Point of Service supports Plug-n-Play for retail device peripherals, creates operator & customer interactions through empowering components, and provides low lifecycle cost for retailers and partners in the POS system industry.
- Industry standard CPU, memory and other key components adding system reliability
- 2.5GB flash storage model runs with zero spindle architecture to minimize hardware failures
- Enhanced environmental durability against temperature, water spill and dust, typical troubles for retail IT equipments
- 3rd party's POS peripheral available connected to USB2.0 and RS-232C ports to configure flexible store system

Specifications

CPU	ULV Celeron® M 600MHz*
Memory	DDR SDRAM 512MB
Storage	SATA40GB HDD or PATA 2.5GB flash storage (alternative selection)
LAN	10 BASE-T / 100 BASE-TX
Interfaces	USB2.0 x4 ports (2 for maintenance use) Serial x4 ports (2 with +5v powered) Cash drawer x1 port (option)
OS	Windows® Embedded for Point of Service*
Operator display	12.1" SVGA full color TFT with touch panel
Customer display	20 x2 alphanumeric line display (option)
Magnetic strip reader	ISO 1/2 (option)
Power Supply	AC 100-240V (+6%, -10%) MAX 1.2A
Power consumption	60W (max) to less than 1W (power off)

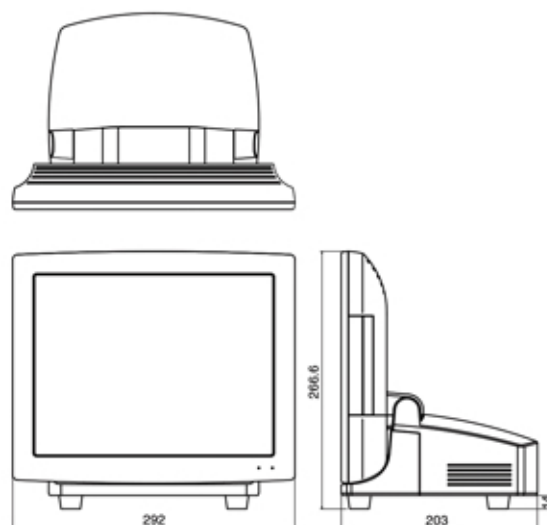
Features & specifications are subject to change without notice.

*Microsoft Windows and the Windows logo are trademarks or registered trademarks of the Microsoft Corporation in the United States and other countries.

*Celeron® is a registered trademark of the Intel Corporation. See the notes in the relevant product documents for details. The color of the products shown in this brochure may vary from the actual product due to the printing conditions.

*When this product (including software) is made for export, take necessary procedures for export permits and other applications from the government of Japan when exporting this product overseas as stipulated in the Foreign Exchange and Foreign Trade Control Law. Also, take required procedures for applicable U.S. Export Administration Regulations or other foreign government regulations.

Dimensions



TWINPOS3500G1 Options

- 20x2 alphanumeric line display
- Integrated magnetic strip reader
- AC power cables for local plug type



TWINPOS 3500 G1

⚠ Notes on Safety

Please read the documents attached to the products carefully for proper use.

Do not install in locations where high amounts of water, humidity, dusty or oil smoke are present. Doing so may cause fire, breakdown or electric shock.